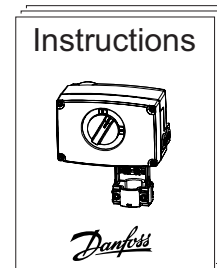
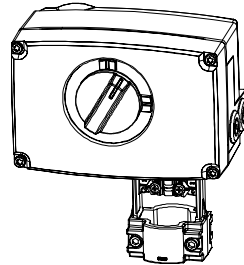


Instructions

VEFS 2

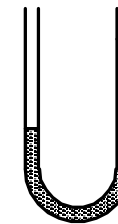
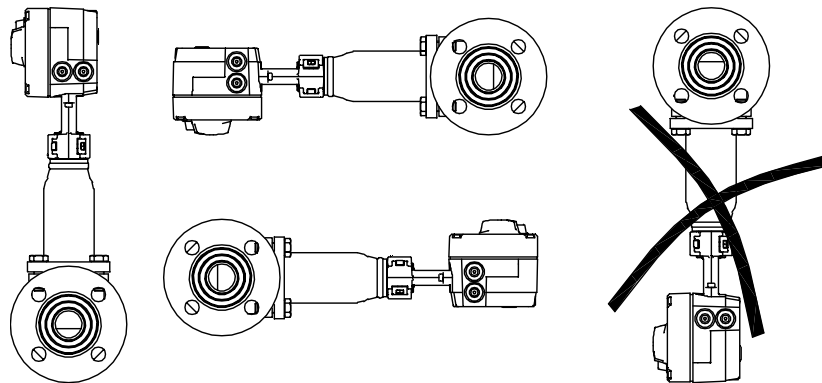
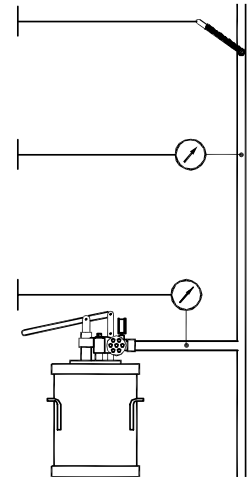


AMV(AME) 25, 35
AMV(AME) 25 SU/SD

max. t: 200°C
min. t: 2°C

max. P: 25bar(20bar)

max. P: 40bar



Δp_{max}

H (water) - 10 bar

Δ (steam) - 6 bar

AMV (AME) + VEFS 2

