

Data sheet

Actuator for three point control AMV 150

Description



Actuator is primarily designed to regulate valve in the respond to the demand of a controller in District heating, heating, floor heating, solar heating, zone heating, comfort cooling, ventilating and air conditioning systems etc.

Actuator AMV 150 can be controlled by electronic controllers with 3-point output.

Actuator can be used in combination with:

- Valve types VS 2 (DN 15 only) and VMV
- Self acting flow controller AVQM (DN15 only)

Features:

- Self stroking feature: automatic adaptation of stroke to valve's end -position - reduces commissioning time
- Manual operation
- Position indication
- LED signalling (below the cover)
- No tool mounting
- Supplied with 1,5 m cable
- Suitable for high temperatures

Main Data:

- Nominal voltage
 - 24 VAC, 50/60 Hz
 - 230 VAC, 50/60 Hz
- Control input signal: 3 point
- Force: 250 N
- Stroke: 5 mm
- Speed: 24 s/mm
- Max. medium temperature: 130 °C

Ordering


Actuator

| Type | Supply voltage | Speed | Code No. |
|---------|----------------|---------|-----------------|
| AMV 150 | 24 VAC | 24 s/mm | 082G3089 |
| | 230 VAC | | 082G3090 |

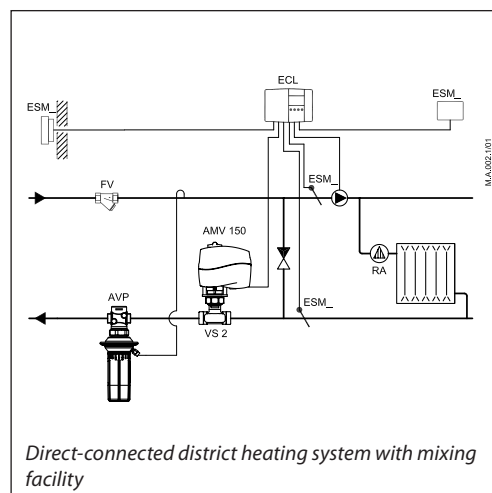
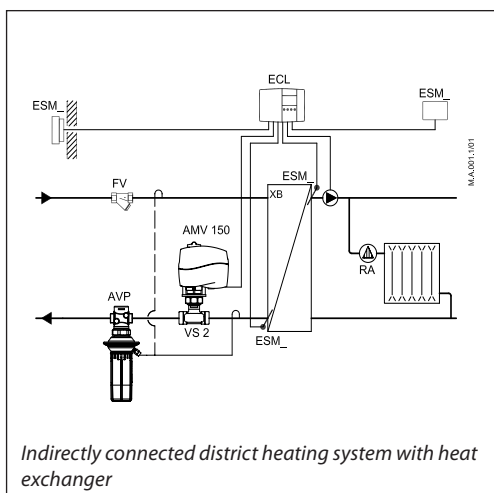
Accessories

| Type | Supply voltage | Length | Code No. |
|-------|----------------|--------|-----------------|
| Cable | 24 VAC | 5 m | 082H8052 |
| | 230 VAC | | 082H8053 |

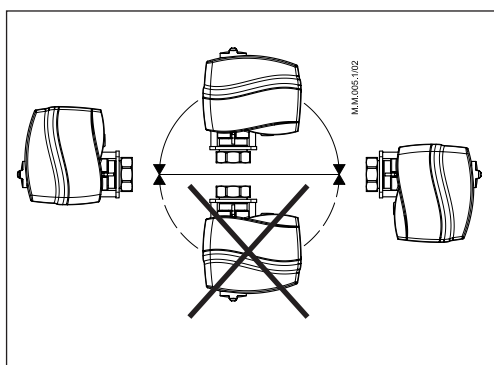
Technical data

| | | |
|--|------|--|
| Power supply | V | 24 or 230 AC; +10 % to -15 % |
| Power consumption | VA | 1 (24 V), 8 (230 V) |
| Frequency | Hz | 50 /60 |
| Control Input | | 3-point |
| Closing force | N | 250 |
| Max. stroke | mm | 5 |
| Speed | s/mm | 24 |
| Max. medium temperature | °C | 150 |
| Ambient temperature | | 0 ... 55 |
| Storage and transport temperature | | -40 ... +70 |
| Protection Class | | II |
| Grade of enclosure | | IP 54 |
| Weight | kg | 0,34 |
|  - marking in accordance with standards | | Low voltage directive (LVD) 2006/95/EC: EN 60730-1, EN 60730-2-14 EMC Directive 2004/108/EC: EN 61000-6-2, EN 61000-6-3 |

Application principles



Installation



Mechanical

The actuator should be mounted with the valve stem in either horizontal position or pointing upwards.

Electrical

Important: It is strongly recommended that the mechanical installation is completed before the electrical installation.

Each actuator is supplied with the connecting cable for the controller.

Disposal

The actuator must be dismantled and the elements sorted into various material groups before disposal.

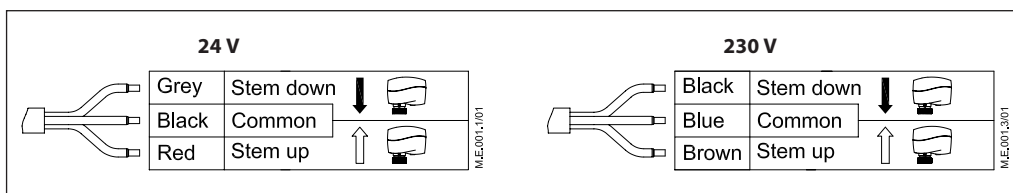
Commissioning

Complete the mechanical and electrical installation (see instructions) and perform the necessary checks and tests:

- Turn on the power
- Set the appropriate control signal and check that the valve stem direction is correct for the application.

The unit is now fully commissioned.

Wiring

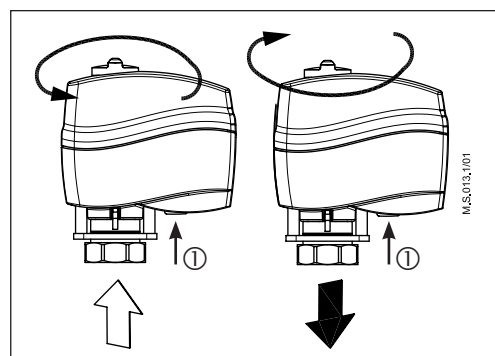


Manual operation

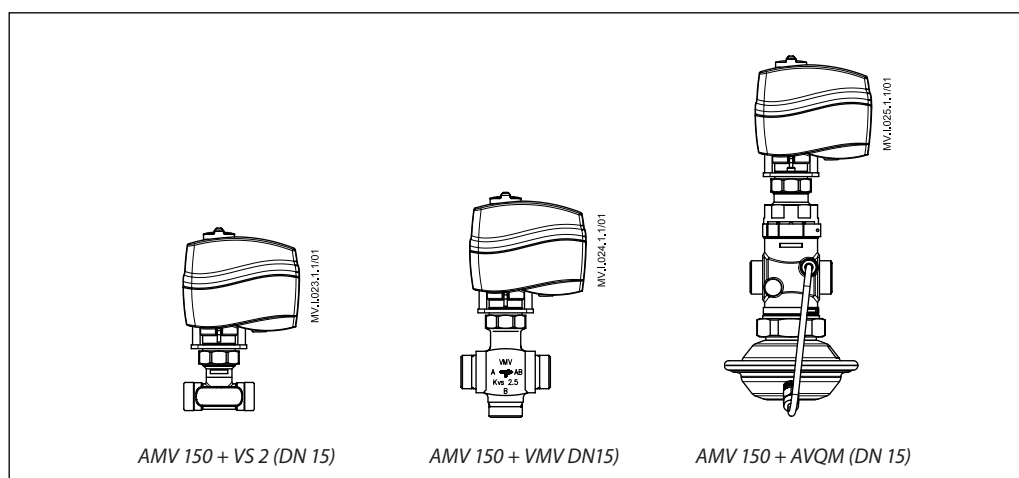
① Press and hold the button (on the bottom side of the actuator) during manual operation.

Remark:

A "click" sound after energizing the actuator means that the gear wheel has jumped into normal position.



Actuator - valve combinations



Dimensions

