

Data sheet

Actuators for three point control with stroke limitation (SL)

AMV 20 SL, AMV 30 SL

AMV 23 SL - with EN 14597 certified safety function

Description



The actuators for 3-point controls with or without safety function are suitable to be used with VS2, VM2, VB2 and AVQM valves.

The safety function on AMV 23 SL is activated automatically in case of power failure or if the power supply is switched off by the safety thermostat. This function provides safety shut off on power failure.

In addition to basic function such as manual control and position indication, the actuators are also equipped with force sensitive switch-off to ensure that actuators and valves are not exposed to overload. This function automatically ensures the self-adjustment of the end positions on the valve.

Actuators are also equipped with stroke limitation that can limit flow in valves. Limitation of stroke is designed with switch that can be set in any desirable position (stroke limit from 0 to 100%).

Features:

- The advanced design incorporates load related 'switch-off' to ensure that actuators and valves are not exposed to overload.
- Digital feedback end position indication signal for valve end position is available by terminal 4 or 5.
- Low weight and robust.

Main data:

- 24 V and 230 V version (AMV 20 SL, AMV 23 SL);
- 230 V version (AMV 30 SL);
- Spindle speed 15 s/mm (AMV 20 SL, AMV 23 SL);
- Spindle speed 3 s/mm (AMV 30 SL);
- Safety function (EN 14597);
- Stroke limitation (SL);

Ordering

Type	Supply voltage	Code No.
AMV 20 SL	230 V~	082G3035
AMV 20 SL	24 V~	082G3036
AMV 30 SL	230 V~	082G3055

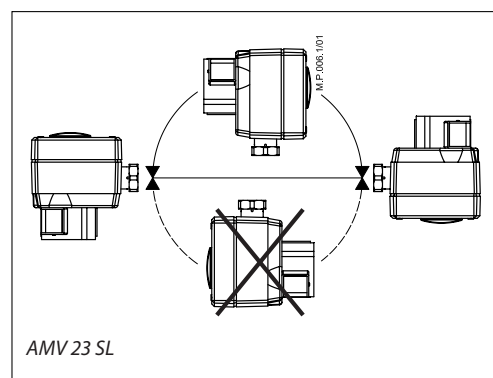
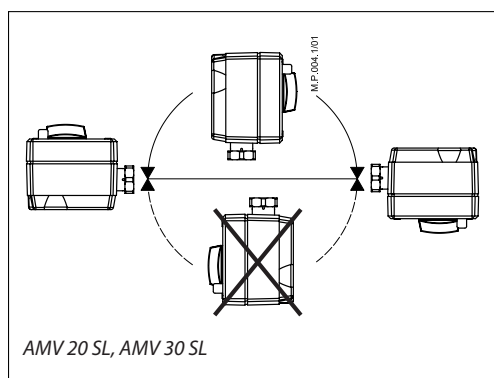
Spring return function - EN 14597 approval

Type	Supply voltage	Code No.
AMV 23 SL	230 V~	082G3037
AMV 23 SL	24 V~	082G3038

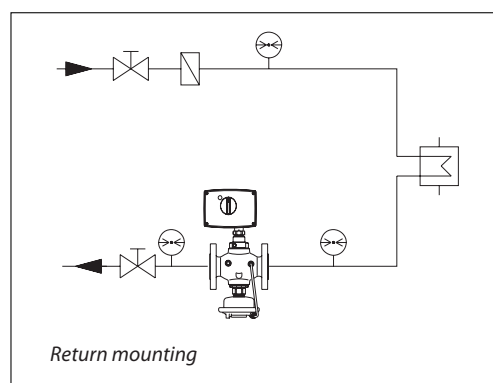
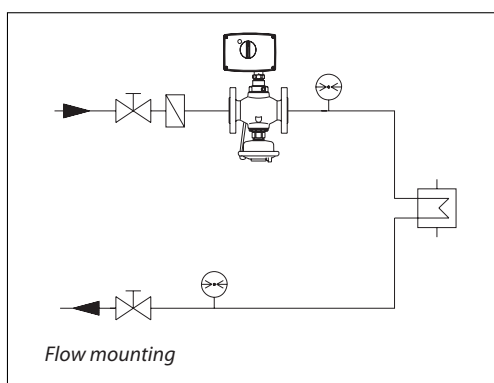
Technical data

Type		AMV 20 SL	AMV 23 SL	AMV 30 SL
Supply voltage	V	24~, 230~; +10 to -15 %		230~; +10 to -15 %
Power consumption	VA	2,15	7	7
Frequency	Hz	50/60		
Control input		3-point		
Safety function		-	•	-
Power output	N	450		
Spindle travel	mm	10		
Spindle speed	s/mm	15		3
Max. medium temperature inside the pipe		150		
Ambient temperature	°C	0 ... 55		
Storage and transport temperature		-40 ... 70		
Enclosure		IP 54		
Weight	kg	1,4	1,45	1,4
- marking in accordance with standards		EMC- Directive 89/336/EEC, 92/31/EEC, 93/68/EEC, EN 50081-1 and EN 50082-1 Low Voltage Directive 73/23/EEC and 93/68/EEC, EN 60730/2/14		

Installation



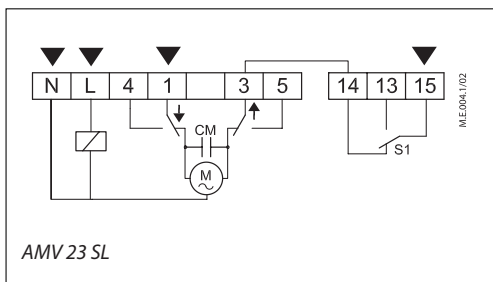
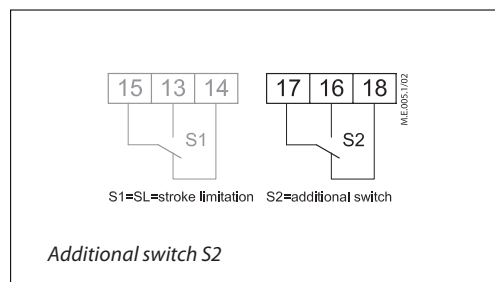
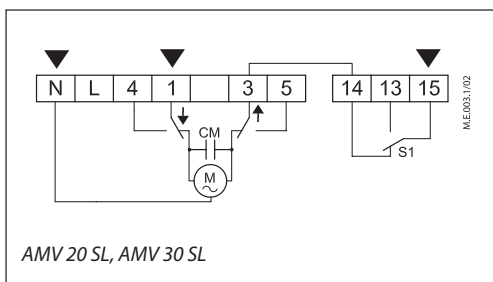
Application examples



Disposal

The actuator must be dismantled and the elements sorted into various material groups before disposal.

Wiring



Terminals 1, 15:

Control voltage input from the controller

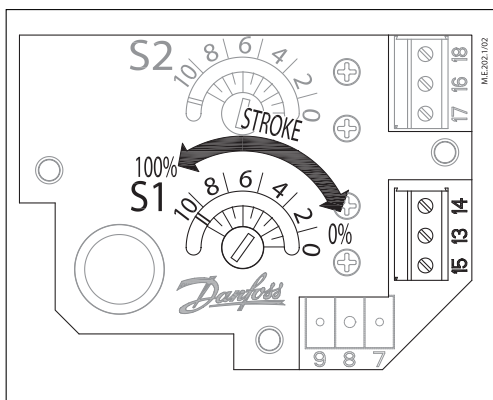
Terminals 4, 13:

Output used for end-position indication or monitoring

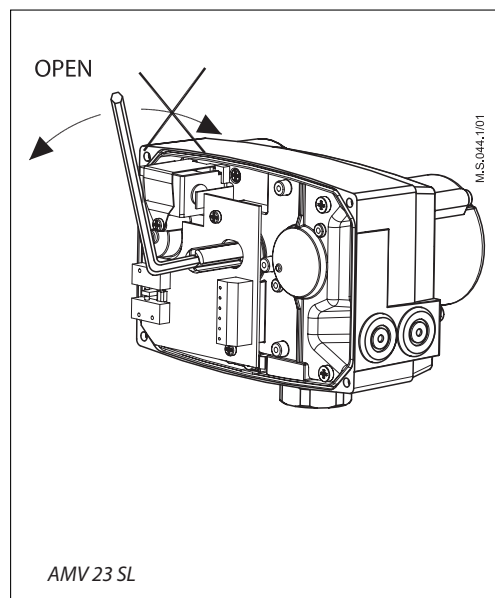
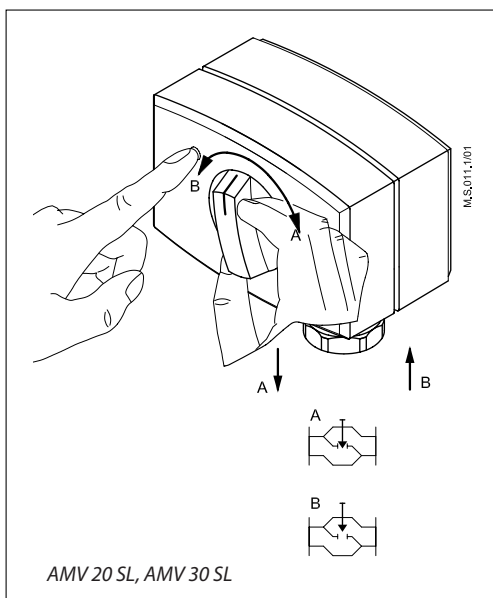
L: Supply power 24 V~, 230 V~

N: Common (0 V)

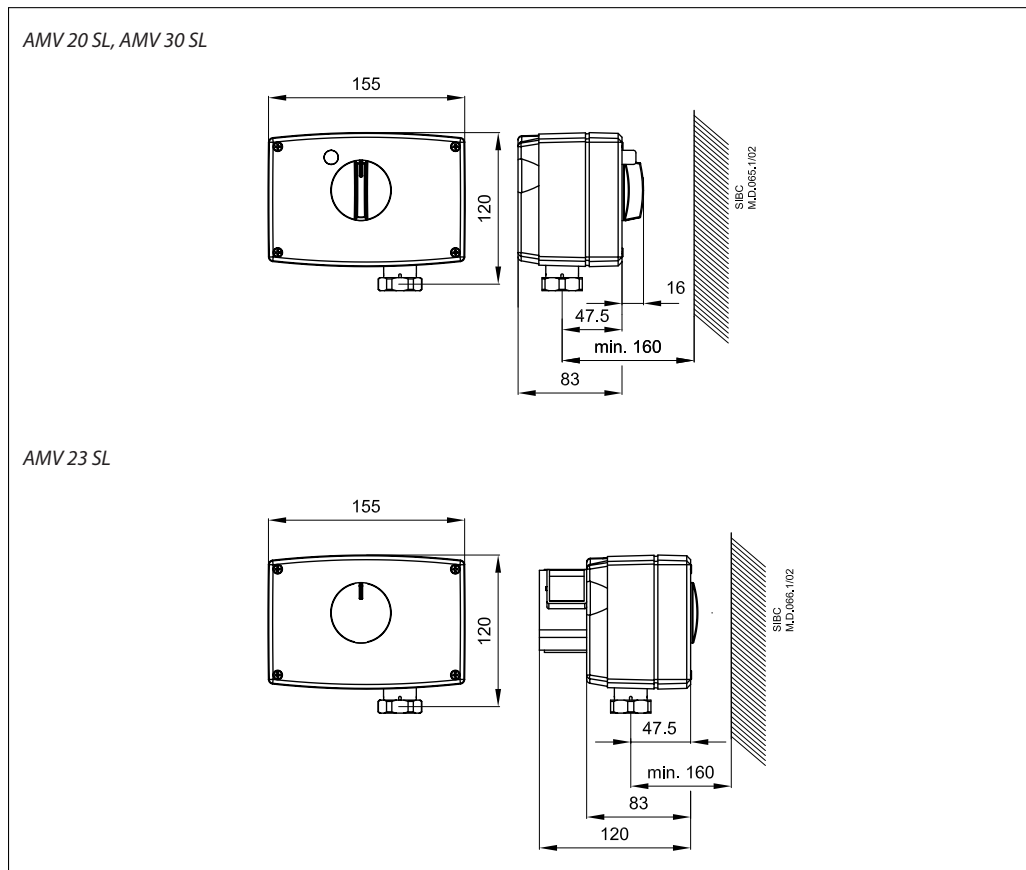
Stroke limitation



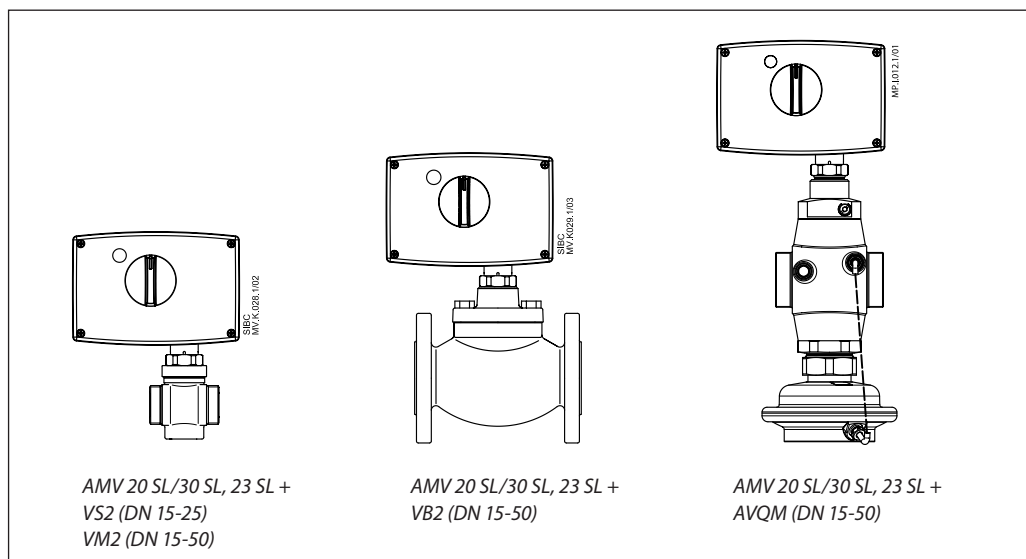
Manual override



Dimensions



Actuator - valve combinations



Danfoss can accept no responsibility for possible errors in catalogues, brochures and other printed material. Danfoss reserves the right to alter its products without notice. This also applies to products already on order provided that such alterations can be made without consequential changes being necessary in specifications already agreed. All trademarks in this material are property of the respective companies. Danfoss and the Danfoss logotype are trademarks of Danfoss A/S. All rights reserved.